

## TE

5-Stage transformer for switch cabinet installation



### TE

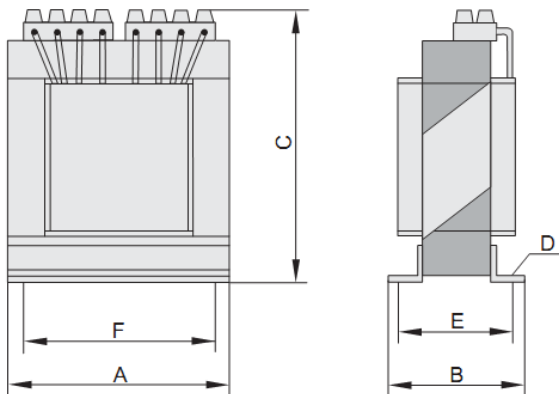
Transformers for switch cabinet installation (Single phase)  
6 Tappings without case.

#### Design

- Non short circuit proof
- Installation feet and connection terminals
- Max. permitted ambient temperature +40°C
- Insulation class B
- Protection class IP20
- Mains frequency 50/60Hz

## Technical Data:

### Dimensions:

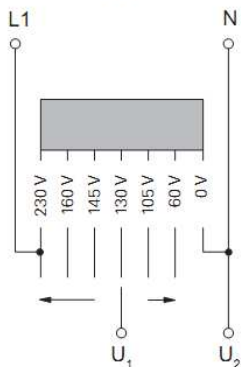


Type	Art.-No.	max. current [A]	Weight [kg]	Protection class	A	B	C	D	E	F	Remark
TE 1.5	H70-01500	1.5	1.6	IP 20	78	66	87	4.5x8.5	55	57	primary <b>230V</b>
TE 3.5	H70-03500	3.5	2.2	IP 20	96	78	98	5.5x10.5	63	84	
TE 5.0	H70-05000	5.0	3.5	IP 20	96	103	101	5.5x10.5	88	84	secondary <b>230,160,145, 130, 105, 60 V</b>
TE 7.5	H70-07500	7.5	4.4	IP 20	120	83	120	5.5x10.5	67	90	
TE 10	H70-10000	10.0	6.7	IP 20	135	103	126	5.5x10.5	87	110	
TE 15	H70-15000	15	12.2	IP 20	135	150	130	5.5x10.5	134	110	

**Wiring diagram:**

01.215

1 ~ Transformator / 1 ~ Transformer



230 V	braun / brown
160 V	blau / blue
145 V	schwarz / black
130 V	grün / green
105 V	violett / violet
60 V	weiß / white
0 V	rot / red

**Scope of delivery:**

- 5-Stage transformer (TE)
- Documentation