

## TFB – Filterbox

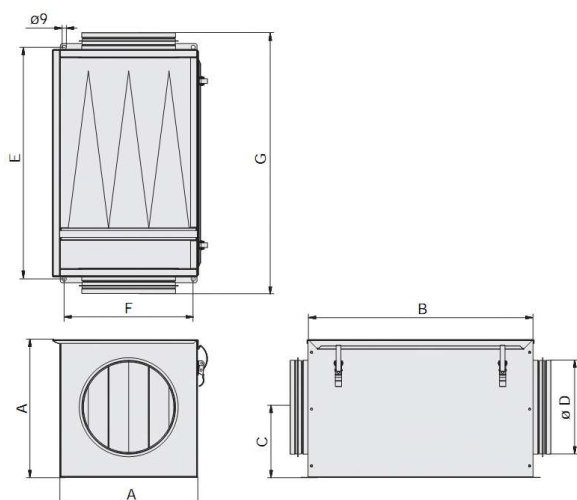
Accessories for Tube Fans / Zerobox (R/RS/Z)

Casing made of galvanized sheet steel with folding cover for easy filter change. Filter of filter class ISO ePM10  $\geq 50\%$  (ex M5) or ISO ePM1  $\geq 50\%$  (formerly F7) are inclusive. Connections suitable to standard tube diameters.



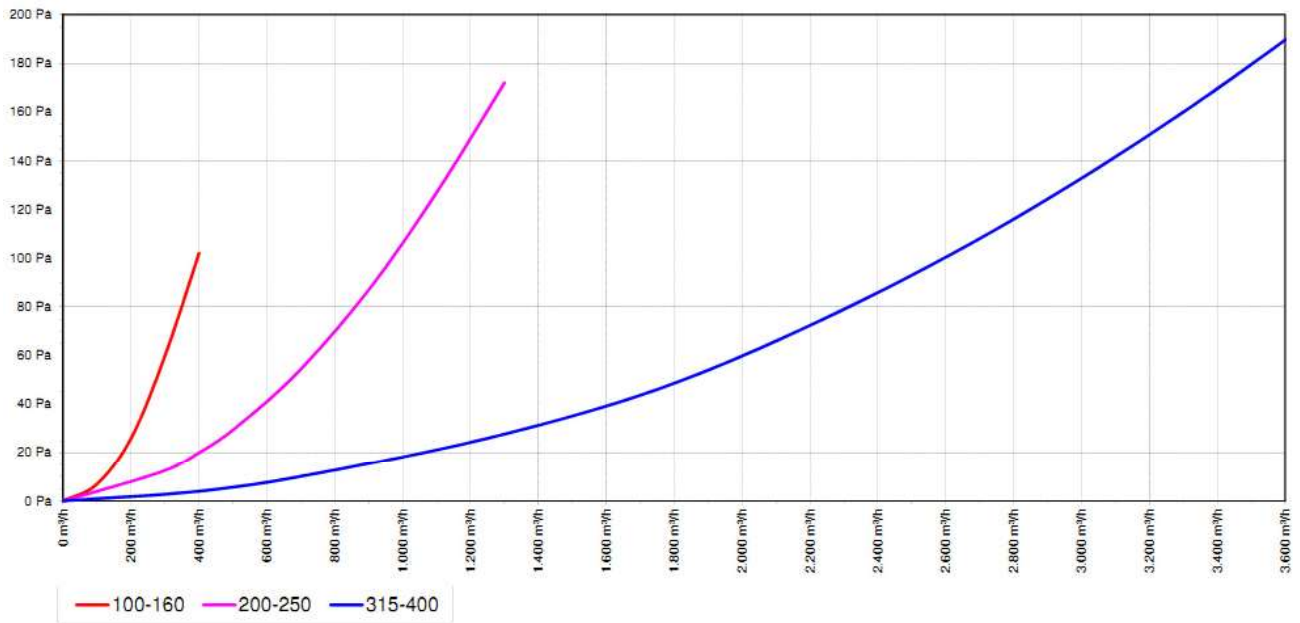
### Technical Data:

Dimensions:

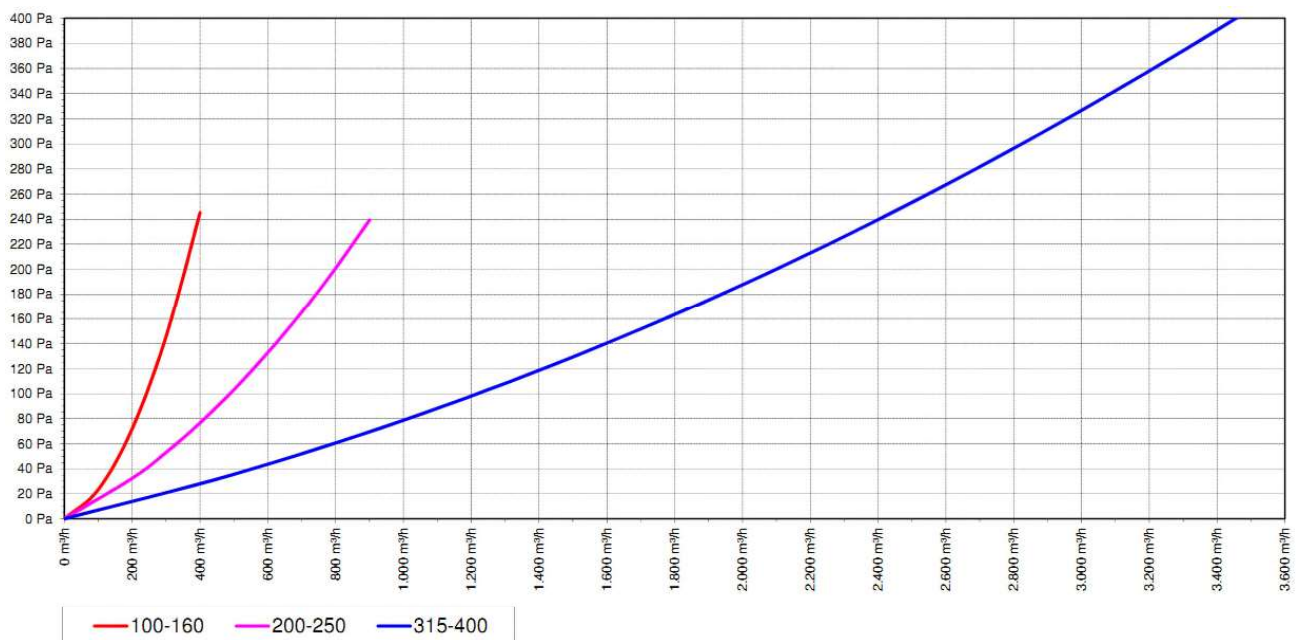


Type	ISO ePM10 $\geq 50\%$ (formerly M5) Art.No.	ISO ePM1 $\geq 50\%$ (formerly F7) Art.No.	A [mm]	B [mm]	C [mm]	Ø D [mm]	E [mm]	F [mm]	G [mm]	Weight [mm]
<b>TFB 100</b>	F11-10002	F11-10003	200	464	100	100	479	175	526	2,1
<b>TFB 125</b>	F11-12502	F11-12503	200	464	100	125	479	175	526	2,1
<b>TFB 160</b>	F11-16002	F11-16003	200	464	100	160	479	175	526	2,1
<b>TFB 200</b>	F11-20002	F11-20003	295	494	150	200	509	275	556	4,1
<b>TFB 250</b>	F11-25002	F11-25003	295	494	150	250	509	275	556	4,1
<b>TFB 315</b>	F11-31502	F11-31503	450	594	224	315	609	430	656	7,3
<b>TFB 355</b>	F11-35502	F11-35503	450	594	224	355	609	430	656	8,1
<b>TFB 400</b>	F11-40002	F11-40003	450	594	224	400	609	430	656	8,1

**Initial pressure losses (ISO ePM10 ≥50%; formerly M5):**



**Initial pressure losses (ISO ePM1 ≥50%; formerly F7):**



**Scope of delivery:**

- Filterbox (TFB)
- Filter ISO ePM10 ≥50% **or** Filter ISO ePM1 ≥50%